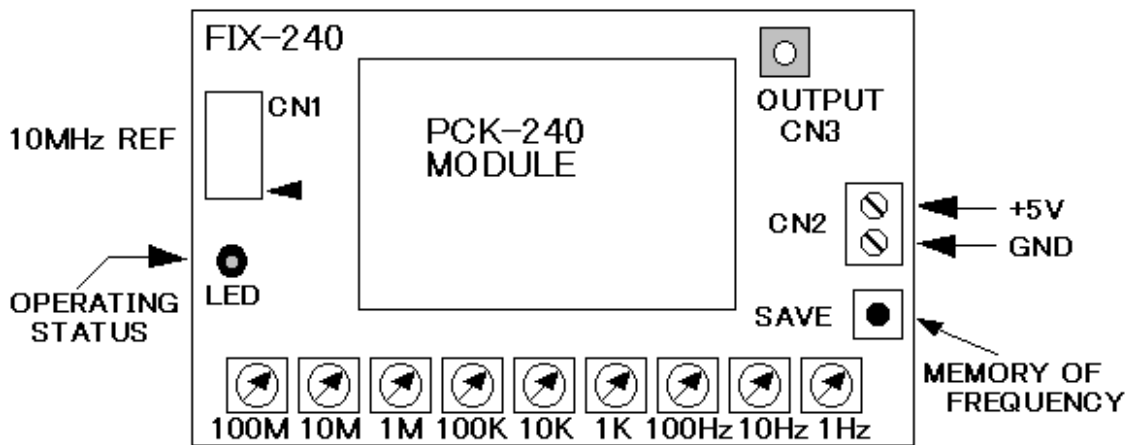


# FREQUENCY SETTING BOARD FIX-240

## Outline

FIX-240 is an option board for PCK-820 to be able to set the frequency easily. When PCK-240 is inserted to the sockets of FIX-240, the desired frequency can be obtained by 9 BCD switches on the board. A frequency and setting value can be memorized by a save switch on the board. When PCK-240 is used for itself, FIX-240 is used as a memory setting tool of the parameter.

## Layout



## Specification

Voltage +5V  $\pm$  5%(0.25V)

Current less than 300mA(with PCK-240 )

## LED

The LED lamp on the board indicates the operating status.

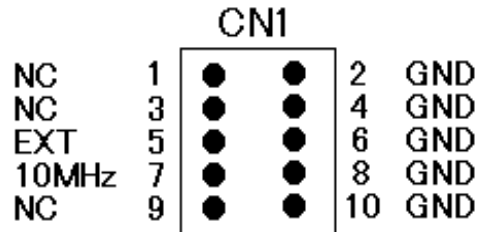
Lighting : LED always lights at the normal status

Blinking : LED blinks continuously when PCK-240 is not correctly mounted.

Blink once : In case of setting value was changed and the save switch is pushed, LED blinks momentarily.

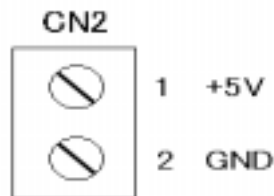
### Pin assignment for connector

CN1 is a connector for input of an 10MHz external reference signal and a INT/EXT selected signal when PCK-240 is operated by an external clock mode.



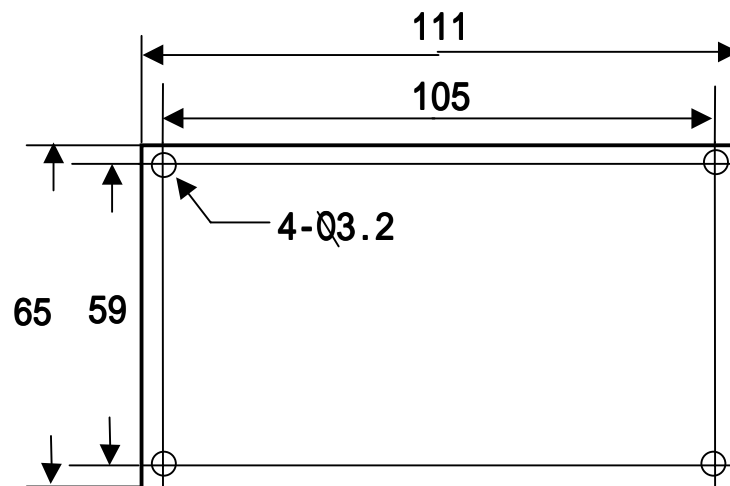
(Caution) Please refer to the user's manual of PCK-240 for details of EXT .clock operation.

CN2 is a power supply terminal. Supply +5V



CN3 is an output terminal. As their output impedance is 50 , use 50 impedance coaxial cable. SMB(C05) connector will be suitable.

**Dimensions 65x111mm**



Design, Manufacture, Sales

**DIGITAL SIGNAL TECHNOLOGY, INC.**

1-6-28, Higashi Benzai, Asaka City, Saitama, 351-0022, Japan

TEL : 81-48-468-6094 FAX : 81-48-468-6210

URL : <http://www.dst.co.jp>