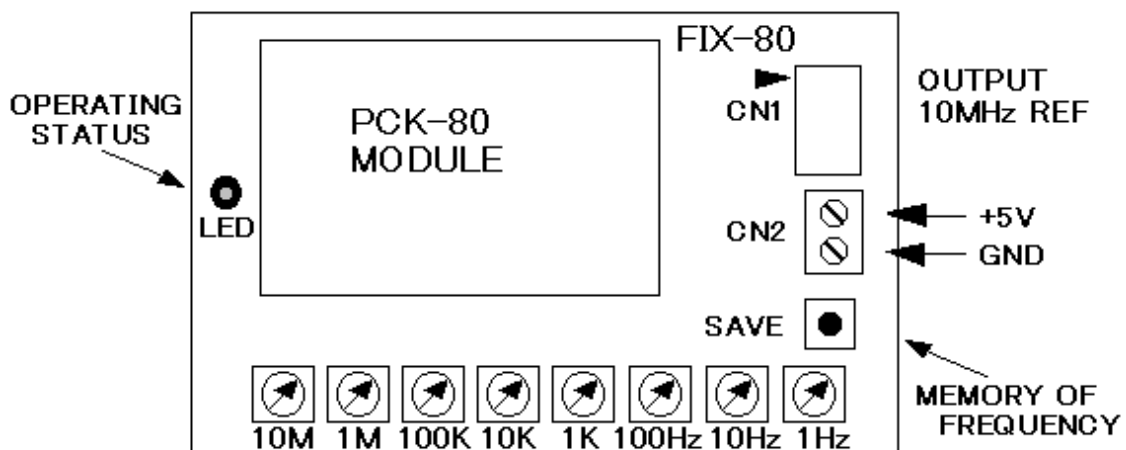


## FREQUENCY SETTING BOARD FIX-80

### Outline

FIX-80 is an option board for PCK-80 to be able to set the frequency easily. When PCK-80 is inserted to the sockets of FIX-80, the desired frequency can be obtained by 8 BCD switches on the board. A frequency and setting value can be memorized by a save switch on the board. When PCK-80 is used for itself, FIX-80 is used as a memory setting tool of the parameter.

### Layout



### Specification

Voltage +5V  $\pm$  5%(0.25V)

Current less than 300mA(with PCK-80 )

### LED

The LED lamp on the board indicates the operating status.

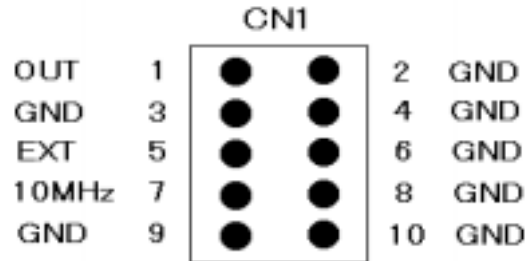
Lighting : LED always lights at the normal status

Blinking : LED blinks continuously when PCK-80 is not correctly mounted.

Blink once : In case of setting value was changed and the save switch is pushed, LED blinks momentarily.

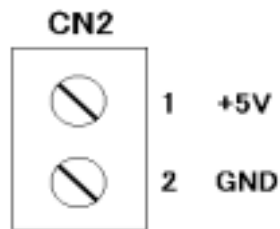
### Pin assignment for connector

CN1 is a connector for input of an 10MHz external reference signal and a INT/EXT selected signal when PCK-80 is operated by an external clock mode.

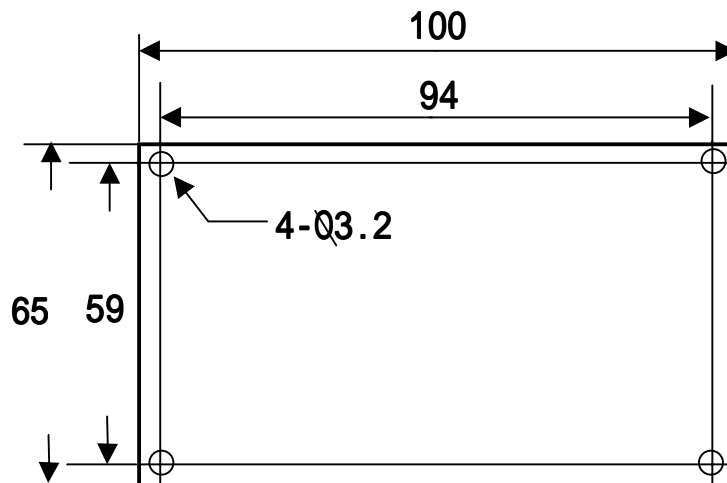


(Caution) Please refer to the user's manual of PCK-80 for details of OUT, EXT .clock operation.

CN2 is a power supply terminal. Supply +5V.



**Dimensions**      **65x100mm**



Design, Manufacture, Sales

**DIGITAL SIGNAL TECHNOLOGY, INC.**

1-6-28, Higashi Benzai, Asaka City, Saitama, 351-0022, Japan

TEL : 81-48-468-6094 FAX : 81-48-468-6210

URL : <http://www.dst.co.jp>